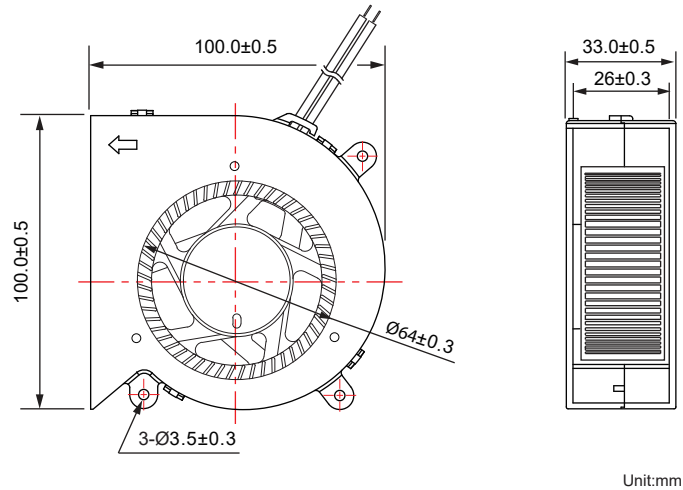


DC Blower Fan 100x100x33mm

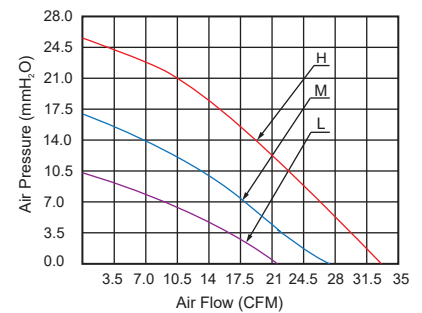
■ 尺寸图 (DIMENSION DRAWING)



Unit:mm

- * 轴承类型: 含油轴承, 双滚珠轴承 (Bearing type:Sleeve,2-Ball)
- * 材料(Material):
框叶(Frame & Impeller):PBT
- * 引线(Lead wire):
UL2468 AWG #26 or equivalent
红色线正级 Red Wire Positive (+)
黑色线负级 Black Wire Negative (-)
- * 可选择增加风扇功能(Functions are optional)
- * 重量(Weight):139g

■ 风压&风量曲线图 P and Q CURVE



| 型号 Model | 轴承类型 Bearing Type | 电压 Rated Voltage | 电压范围 Operation Voltage | 电流 Current | 功率 Input Power | 转速 Speed | 风量 Air Flow | 风压 Static Pressure | 噪音 Noise Level |
|-------------|----------------------|---------------------|---------------------------|---------------|-------------------|-------------|----------------|-----------------------|-------------------|
| | | VDC | VDC | Amp | Watt | RPM | CFM | MM-H ₂ O | dBA |
| BF10033L12S | Sleeve | 12V | 10.8~13.2 | 0.17 | 2.04 | 2,000±10% | 21.8 | 10.0 | 35.0 |
| BF10033L12D | 2-Ball | | | | | | | | |
| BF10033M12S | Sleeve | 12V | 10.8~13.2 | 0.40 | 4.80 | 2,500±10% | 27.4 | 16.5 | 40.0 |
| BF10033M12D | 2-Ball | | | | | | | | |
| BF10033H12S | Sleeve | 12V | 10.8~13.2 | 0.50 | 6.00 | 3,000±10% | 33.2 | 25.6 | 45.0 |
| BF10033H12D | 2-Ball | | | | | | | | |

- * 以上为额定电压下的常规参数(All readings are typical values at rated voltage)
- * 规格如有变动不另行通知(Specifications are subjected to change without prior notice)