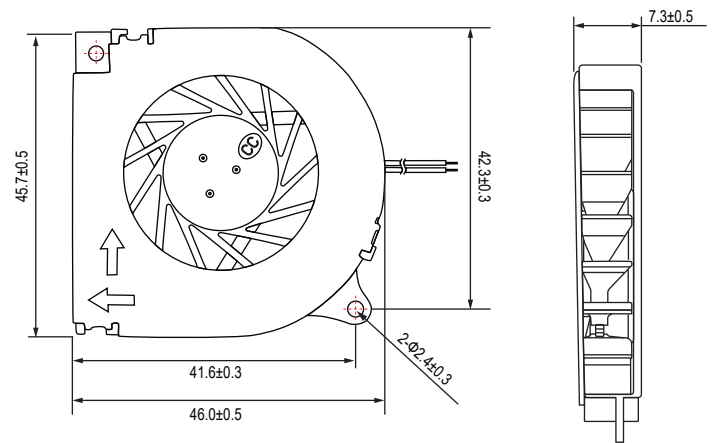
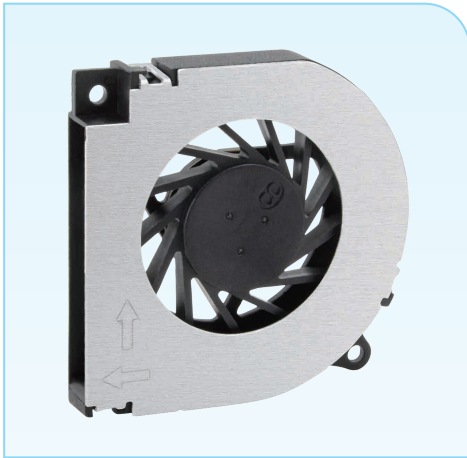


## DC Blower Fan 45x45x7mm

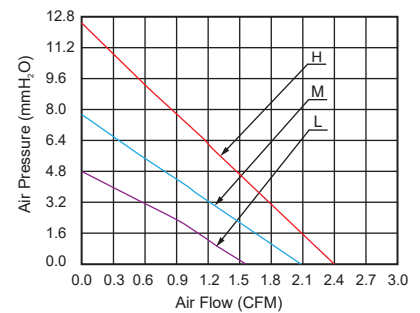
### ■ 尺寸图 (DIMENSION DRAWING)



Unit:mm

- \* 轴承类型: 液压轴承, FDB轴承  
(Bearing type: Hydraulic, FDB)
- \* 材料(Material):  
扇叶(Impeller): PBT  
框(Frame): PBT & SECC
- \* 引线(Lead wire):  
UL1061 AWG #28 or equivalent  
红色线正级 Red Wire Positive (+)  
黑色线负级 Black Wire Negative (-)
- \* 可选择增加风扇功能(Functions are optional)
- \* 重量(Weight): 13g

### ■ 风压&风量曲线图 P and Q CURVE

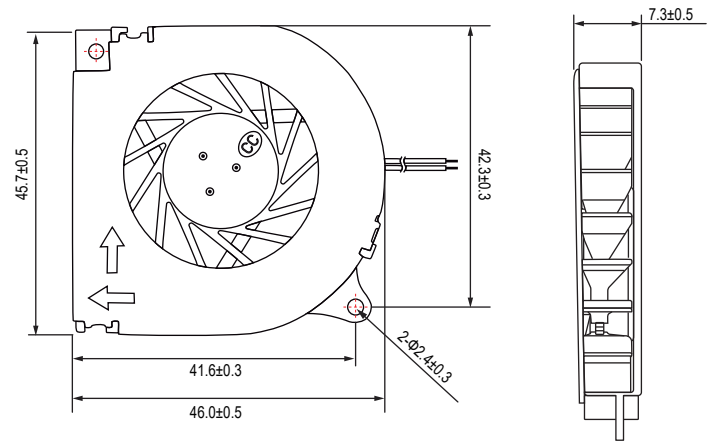
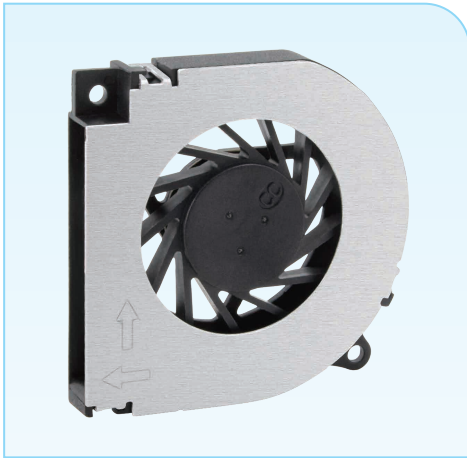


型号 Model	轴承类型 Bearing Type	版本 Version	电压 Rated Voltage	电流 Current	功率 Input Power	转速 Speed	风量 Air Flow	风压 Static Pressure	噪音 Noise Level
			VDC	Amp	Watt	RPM	CFM	MM-H <sub>2</sub> O	dBA
BF4507L05SH	Hydraulic	-A	5V	0.12	0.60	4,000±10%	1.60	4.80	20.0
BF4507L05S3	FDB								
BF4507M05SH	Hydraulic	-A	5V	0.18	0.90	5,000±10%	2.00	7.80	24.0
BF4507M05S3	FDB								
BF4507H05SH	Hydraulic	-A	5V	0.24	1.20	6,000±10%	2.40	12.0	30.0
BF4507H05S3	FDB								
BF4507L12SH	Hydraulic	-A	12V	0.06	0.72	4,000±10%	1.60	4.80	20.0
BF4507L12S3	FDB								
BF4507M12SH	Hydraulic	-A	12V	0.10	1.20	5,000±10%	2.00	7.80	24.0
BF4507M12S3	FDB								
BF4507H12SH	Hydraulic	-A	12V	0.14	1.68	6,000±10%	2.40	4.80	30.0
BF4507H12S3	FDB								

- \* 以上为额定电压下的常规参数(All readings are typical values at rated voltage)
- \* 规格如有变动不另行通知(Specifications are subjected to change without prior notice)

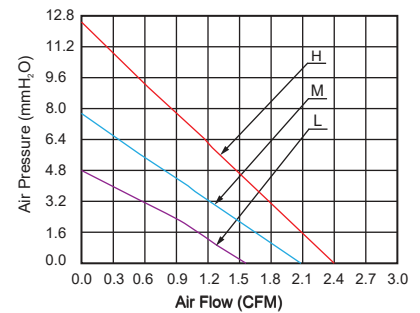
## DC Blower Fan 45x45x7mm

### ■ 尺寸图 (DIMENSION DRAWING)



- \* 轴承类型: 液压轴承, FDB轴承  
(Bearing type: Hydraulic, FDB)
- \* 材料 (Material):  
扇叶 (Impeller): PBT  
框 (Frame): PBT & SECC
- \* 引线 (Lead wire):  
UL1061 AWG #28 or equivalent  
红色线正级 Red Wire Positive (+)  
黑色线负级 Black Wire Negative (-)
- \* 可选择增加风扇功能 (Functions are optional)
- \* 重量 (Weight): 13g

### ■ 风压&风量曲线图 P and Q CURVE



型号 Model	轴承类型 Bearing Type	版本 Version	电压 Rated Voltage	电流 Current	功率 Input Power	转速 Speed	风量 Air Flow	风压 Static Pressure	噪音 Noise Level
			VDC	Amp	Watt	RPM	CFM	MM-H <sub>2</sub> O	dBA
BF4507L24SH	Hydraulic	-A	24V	0.04	0.96	4,000±10%	1.60	4.80	20.0
BF4507L24S3	FDB								
BF4507M24SH	Hydraulic	-A	24V	0.06	1.44	5,000±10%	2.00	7.80	24.0
BF4507M24S3	FDB								
BF4507H24SH	Hydraulic	-A	24V	0.08	1.92	6,000±10%	2.40	12.0	30.0
BF4507H24S3	FDB								

- \* 以上为额定电压下的常规参数 (All readings are typical values at rated voltage)
- \* 规格如有变动不另行通知 (Specifications are subjected to change without prior notice)