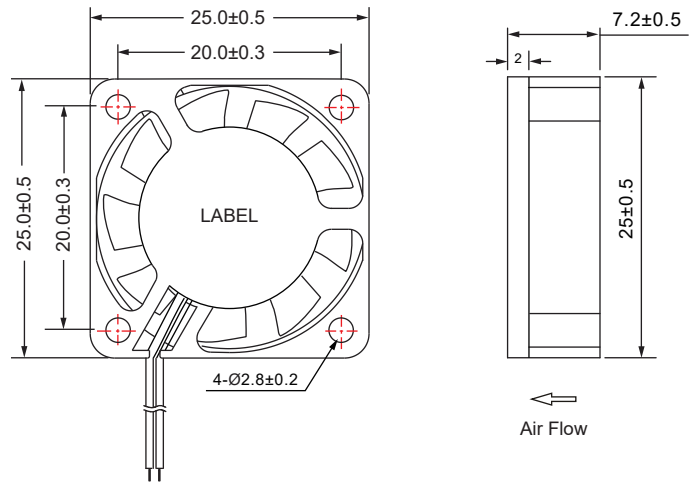


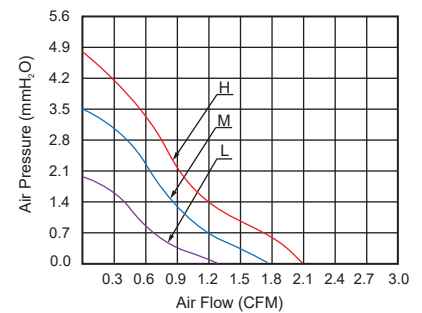
DC Axial Fan 25x25x7mm

■ 尺寸图 (DIMENSION DRAWING)



- * 轴承类型: 含油轴承 (Bearing type: Sleeve)
- * 材料(Material): 框叶(Frame & Impeller): PBT
- * 引线(Lead wire): UL1061 AWG #28 or equivalent
红色线正级 Red Wire Positive (+)
黑色线负级 Black Wire Negative (-)
- * 可选择增加风扇功能(Functions are optional)
- * 重量(Weight): 4.5g

■ 风压&风量曲线图 P and Q CURVE



| 型号 Model | 轴承类型 Bearing Type | 电压 Rated Voltage | 电压范围 Operation Voltage | 电流 Current | 功率 Input Power | 转速 Speed | 风量 Air Flow | 风压 Static Pressure | 噪音 Noise Level |
|-------------|----------------------|---------------------|---------------------------|---------------|-------------------|-------------|----------------|-----------------------|-------------------|
| | | VDC | VDC | Amp | Watt | RPM | CFM | MM-H ₂ O | dBA |
| CC2507L05S | Sleeve | 5V | 4.5~5.5 | 0.09 | 0.45 | 8,000±10% | 1.30 | 1.80 | 21.0 |
| CC2507M05S | Sleeve | 5V | 4.5~5.5 | 0.10 | 0.50 | 10,000±10% | 1.70 | 3.50 | 25.0 |
| CC2507H05S | Sleeve | 5V | 4.5~5.5 | 0.15 | 0.75 | 12,000±10% | 2.10 | 4.80 | 30.0 |
| CC2507L12S | Sleeve | 12V | 10.8~13.2 | 0.04 | 0.48 | 8,000±10% | 1.60 | 1.80 | 21.0 |
| CC2507M12S | Sleeve | 12V | 10.8~13.2 | 0.07 | 0.84 | 10,000±10% | 1.70 | 3.50 | 25.0 |
| CC2507H12S | Sleeve | 12V | 10.8~13.2 | 0.10 | 1.20 | 12,000±10% | 2.10 | 4.80 | 30.0 |

- * 以上为额定电压下的常规参数(All readings are typical values at rated voltage)
- * 规格如有变动不另行通知(Specifications are subjected to change without prior notice)