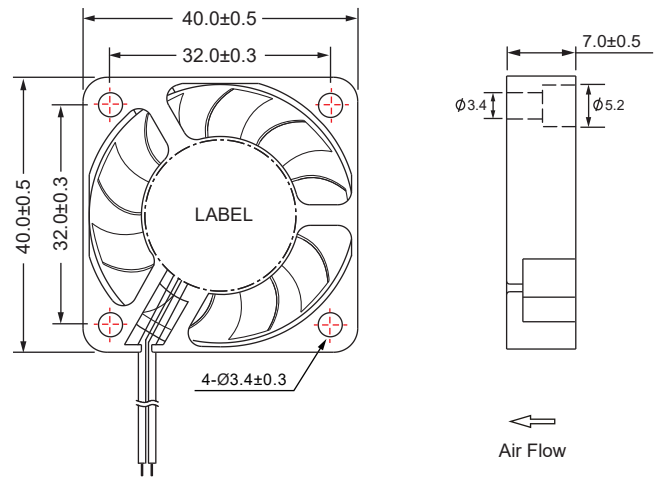
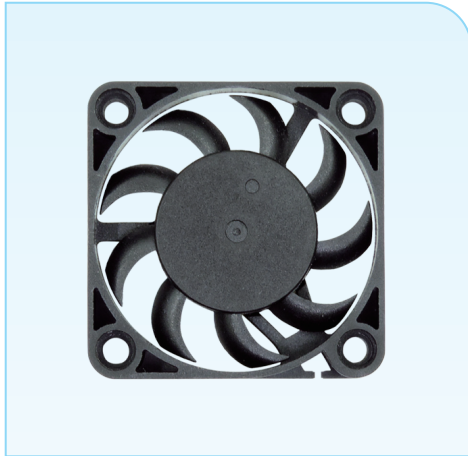


DC Axial Fan 40x40x7mm

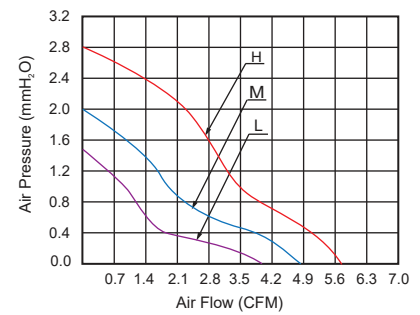
■ 尺寸图 (DIMENSION DRAWING)



Unit:mm

- * 轴承类型:含油轴承 (Bearing type:Sleeve)
- * 材料(Material):
框叶(Frame & Impeler):PBT
- * 引线(Lead wire):
UL1061 AWG #28 or equivalent
红色线正级 Red Wire Positive (+)
黑色线负级 Black Wire Negative (-)
- * 可选择增加风扇功能(Functions are optional)
- * 重量(Weight):10g

■ 风压&风量曲线图 P and Q CURVE



| 型号 Model | 轴承类型 Bearing Type | 电压 Rated Voltage | 电压范围 Operation Voltage | 电流 Current | 功率 Input Power | 转速 Speed | 风量 Air Flow | 风压 Static Pressure | 噪音 Noise Level |
|-------------|----------------------|---------------------|---------------------------|---------------|-------------------|-------------|----------------|-----------------------|-------------------|
| | | VDC | VDC | Amp | Watt | RPM | CFM | MM-H ₂ O | dBA |
| CC4007L05S | Sleeve | 5V | 4.5~5.5 | 0.10 | 0.50 | 5,000±10% | 4.00 | 1.50 | 22.0 |
| CC4007M05S | Sleeve | 5V | 4.5~5.5 | 0.16 | 0.80 | 6,000±10% | 4.80 | 2.00 | 25.0 |
| CC4007H05S | Sleeve | 5V | 4.5~5.5 | 0.20 | 1.00 | 7,000±10% | 5.80 | 2.80 | 29.0 |
| CC4007L12S | Sleeve | 12V | 10.8~13.2 | 0.04 | 0.48 | 5,000±10% | 4.00 | 1.50 | 23.0 |
| CC4007M12S | Sleeve | 12V | 10.8~13.2 | 0.10 | 1.20 | 6,000±10% | 4.80 | 2.00 | 25.0 |
| CC4007H12S | Sleeve | 12V | 10.8~13.2 | 0.12 | 1.44 | 7,000±10% | 5.80 | 2.80 | 29.0 |

- * 以上为额定电压下的常规参数(All readings are typical values at rated voltage)
- * 规格如有变动不另行通知(Specifications are subjected to change without prior notice)