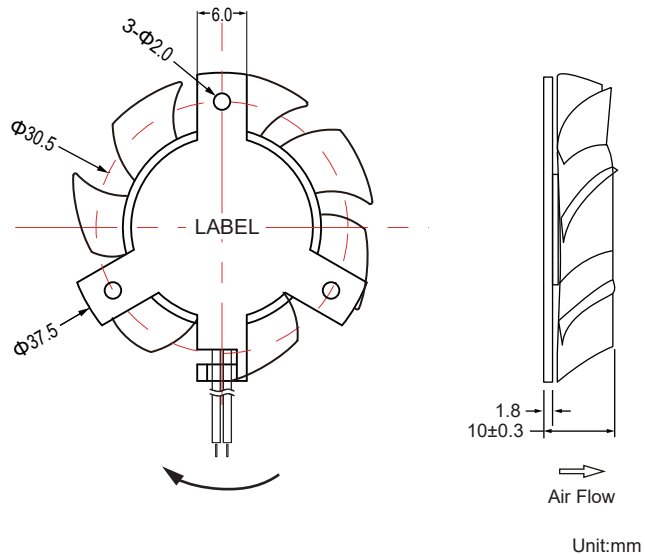


## Frameless Fan $\Phi 37.5 \times 10 \text{mm}$

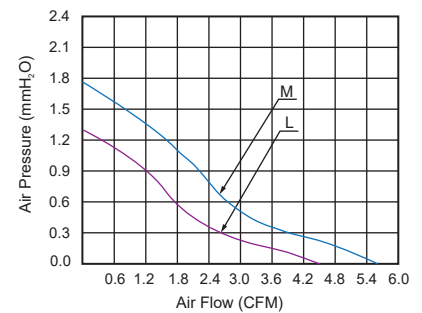
### ■ 尺寸图 (DIMENSION DRAWING)



Unit:mm

- \* 轴承类型: 双滚珠轴承, 液压轴承  
(Bearing type: 2-Ball, Hydraulic)
- \* 材料(Material):  
支架(Bracket): PBT 叶(Blade): PBT
- \* 引线(Lead wire):  
UL2468 AWG #26 or equivalent  
红色线正级 Red Wire Positive (+)  
黑色线负级 Black Wire Negative (-)
- \* 可选择增加风扇功能(Functions are optional)
- \* 重量(Weight): 9.0g

### ■ 风压&风量曲线图 P and Q CURVE



| 型号<br>Model | 轴承类型<br>Bearing Type | 风扇类型<br>Fan Type | 版本<br>Version | 电压<br>Rated Voltage | 电流<br>Current | 转速<br>Speed | 风量<br>Air Flow | 风压<br>Static Pressure | 噪音<br>Noise Level |
|-------------|----------------------|------------------|---------------|---------------------|---------------|-------------|----------------|-----------------------|-------------------|
|             |                      |                  |               | VDC                 | Amp           | RPM         | CFM            | MM-H <sub>2</sub> O   | dBA               |
| CC4010L05D  | 2-Ball               | Frameless        | -D            | 5V                  | 0.12          | 4,000±10%   | 4.40           | 1.30                  | 28.0              |
| CC4010L05SH | Hydraulic            |                  |               |                     |               |             |                |                       |                   |
| CC4010M05D  | 2-Ball               | Frameless        | -D            | 5V                  | 0.15          | 5,000±10%   | 5.60           | 1.70                  | 33.0              |
| CC4010M05SH | Hydraulic            |                  |               |                     |               |             |                |                       |                   |

- \* 以上为额定电压下的常规参数(All readings are typical values at rated voltage)
- \* 规格如有变动不另行通知(Specifications are subjected to change without prior notice)